

DISCLAIMER
 ATTACHMENT OF THIS SEAL TO THIS DOCUMENT IS MADE ONLY FOR THE PURPOSE OF AUTHENTICATING THIS DOCUMENT. RESPONSIBILITY FOR ALL OTHER DOCUMENTS RELATING TO THIS PROJECT IS DECLINED.

Revision:	Date:	Description:
1	05Nov2013	Admendment No. 1
2	03Dec2013	Admendment No. 2
3	11Dec2013	Addendum 003
4	13Dec2013	Addendum 004
5	27Feb2014	Admendment No. 5
6	05Mar2014	Admendment No. 6
A	29Apr2014	Orig Conformed Docs 1

ARMY AVIATION SUPPORT FACILITY (AASF)
 HAWAII ARMY NATIONAL GUARD
 KALAELOA, OAHU, HAWAII
 NATIONAL GUARD BUREAU PROJECT NO. 150023

Key Plan:

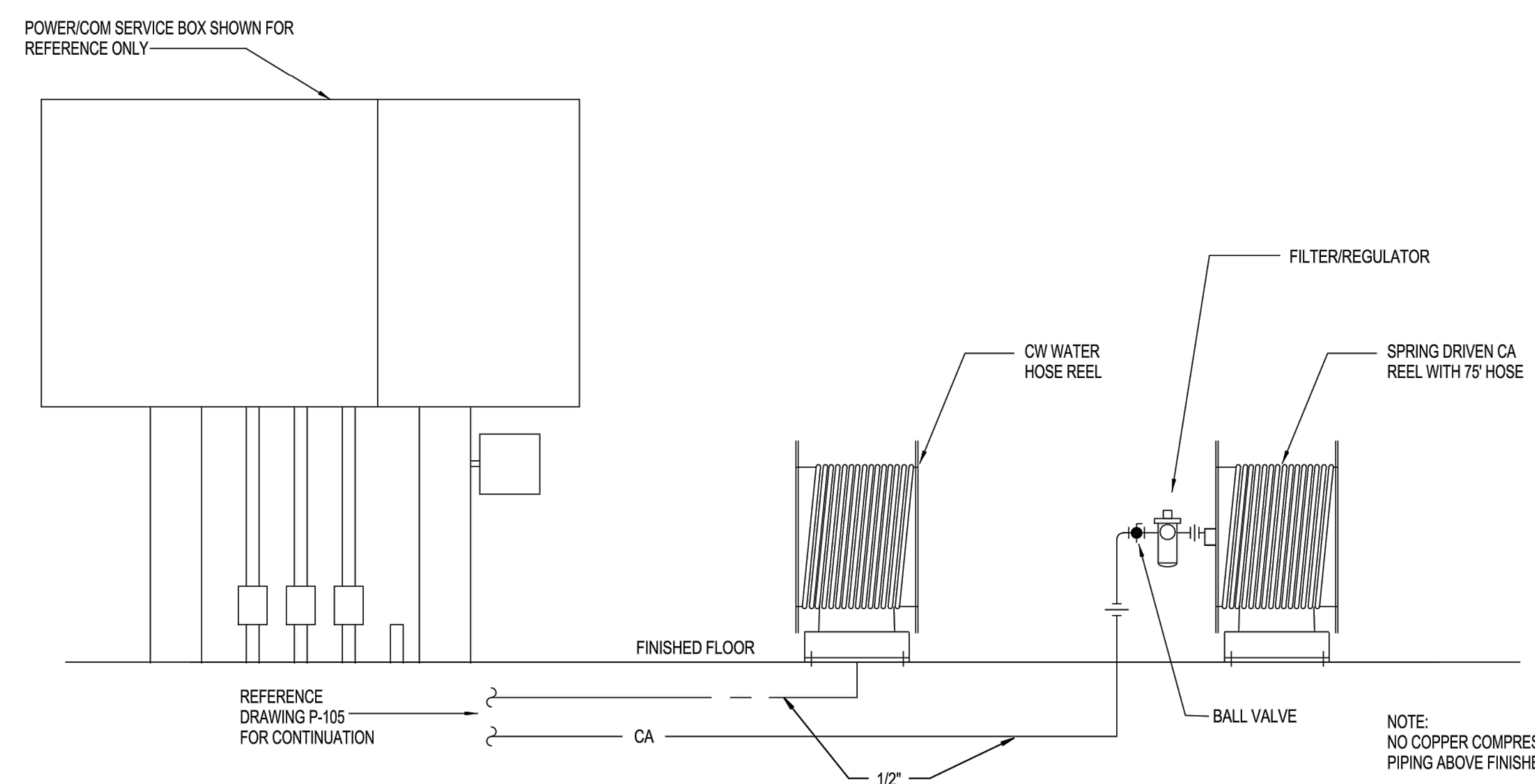
Scales:

Jacobs Project No.: FDYD0300

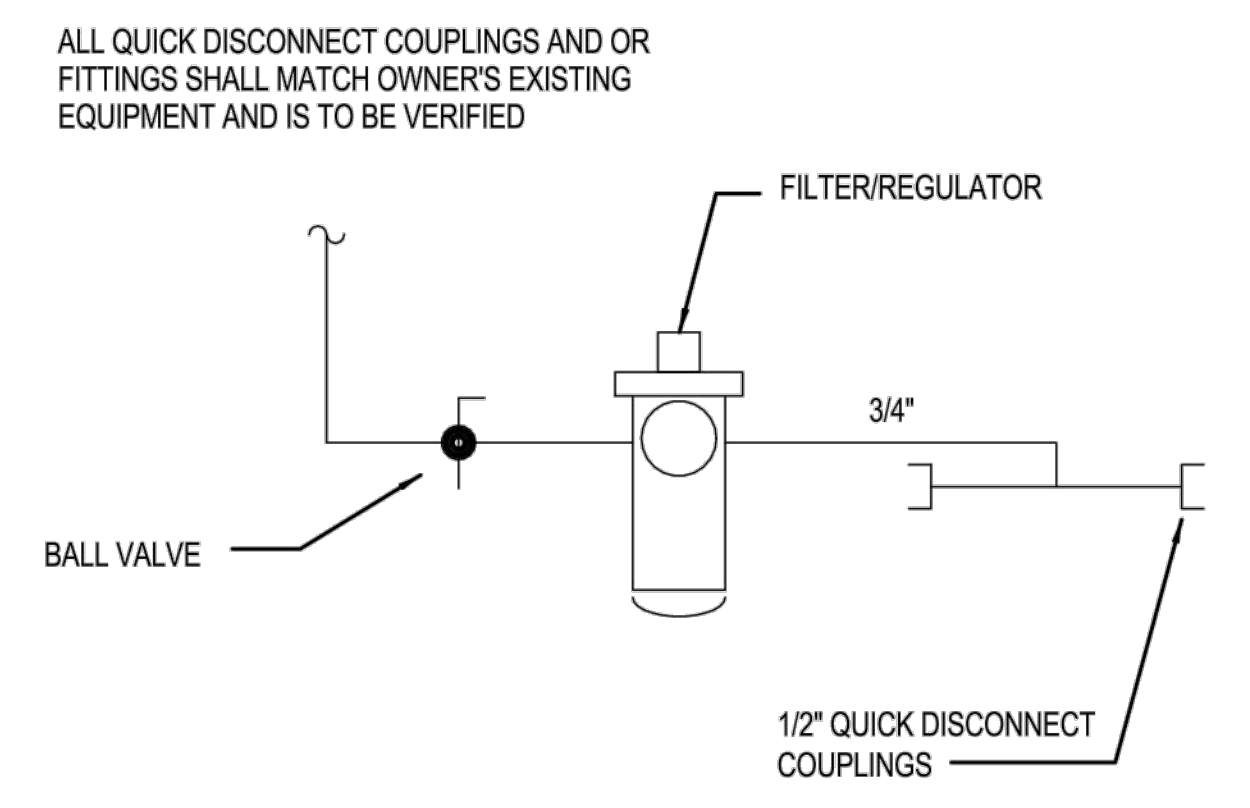
Drawing Title:
PLUMBING DETAILS

Date: 20 JANUARY 2015
 Designed By: J.HALL
 Drawn By: J.HALL
 Checked By: J.TOWERY
 Drawing No.: **P-603**

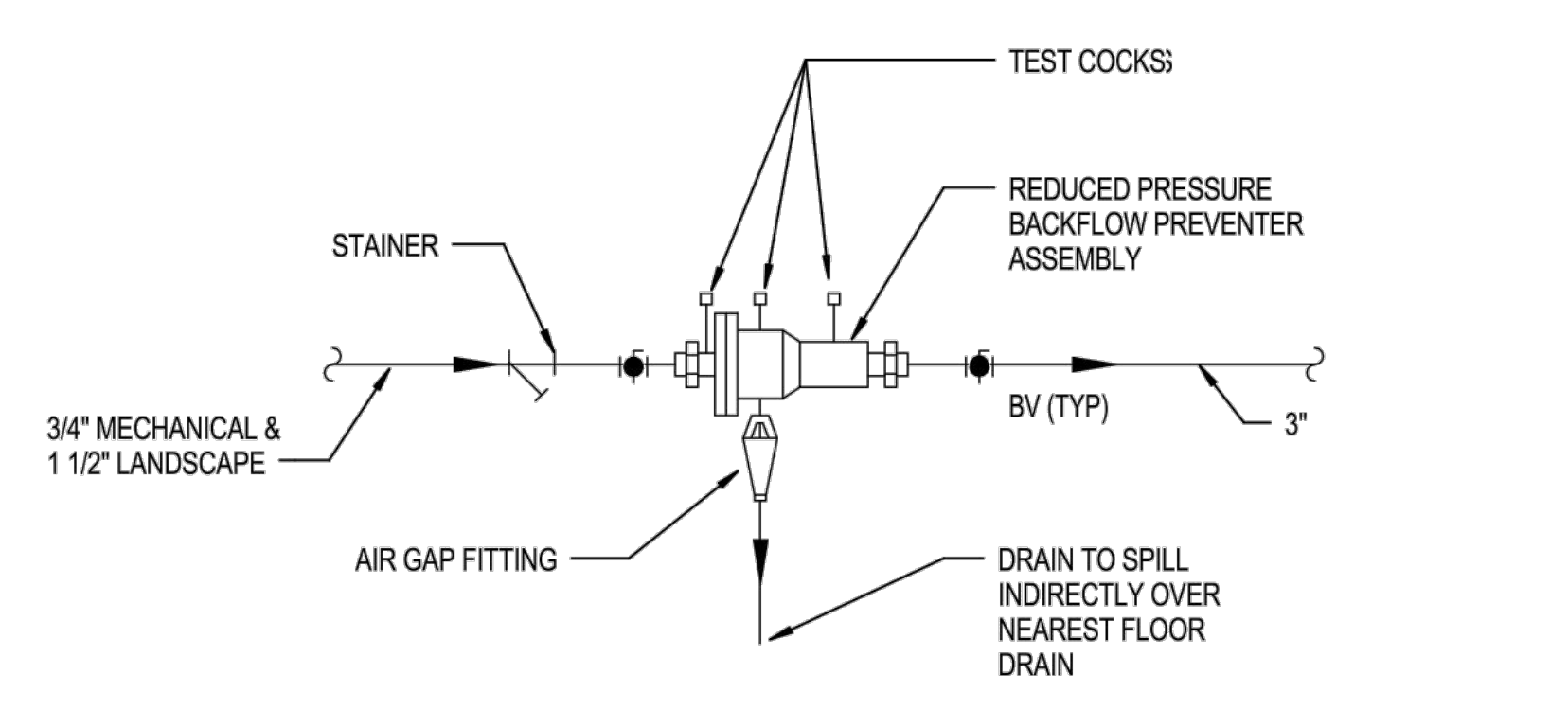
AS BUILT
 ISSUED FOR CONSTRUCTION - FINAL



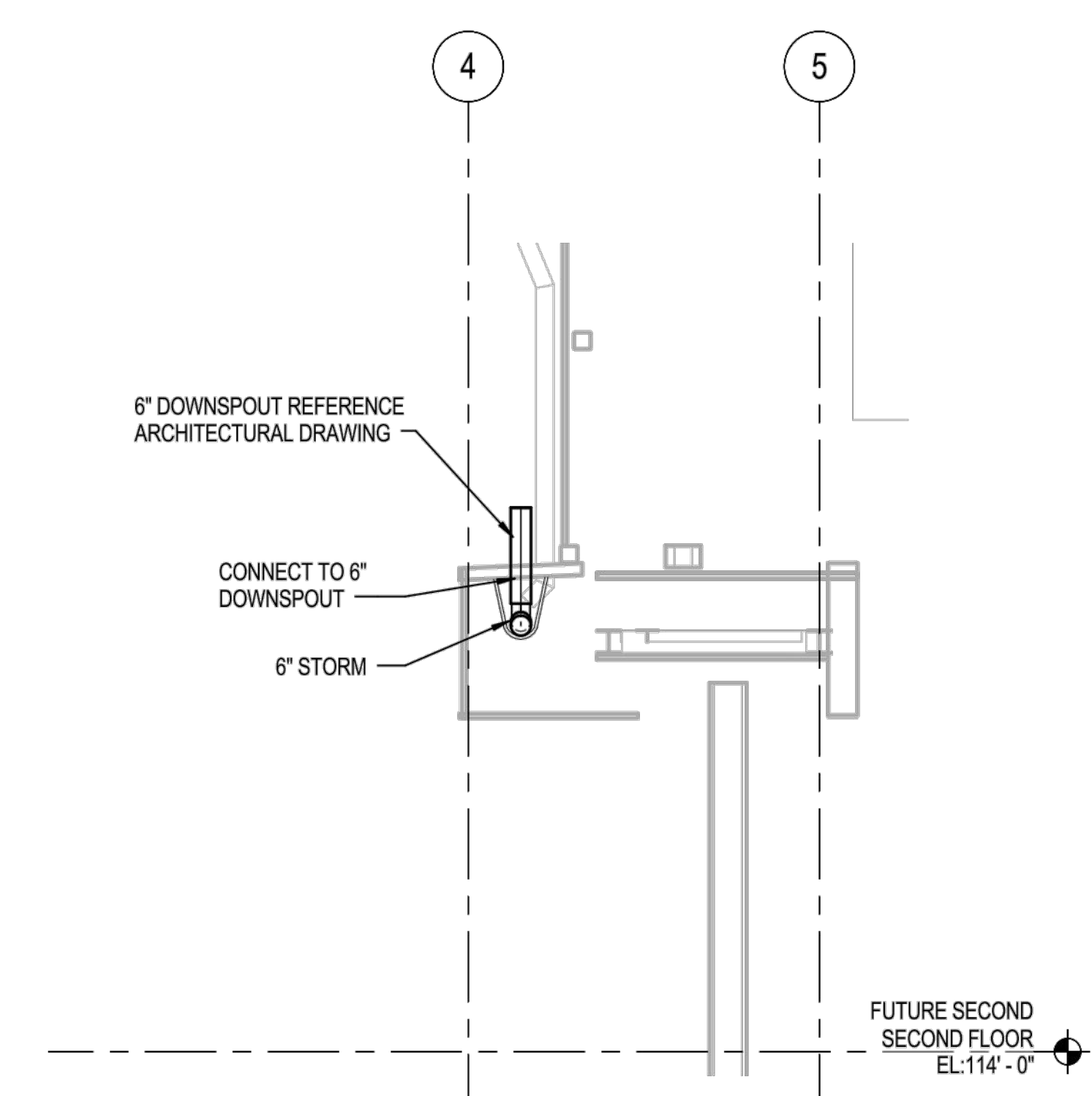
C3 PEDESTAL UTILITY CONNECTIONS
 NOT TO SCALE
 P-105



C2 WALL MOUNTED COMPRESSED AIR OUTLET DETAIL
 NOT TO SCALE
 P-103

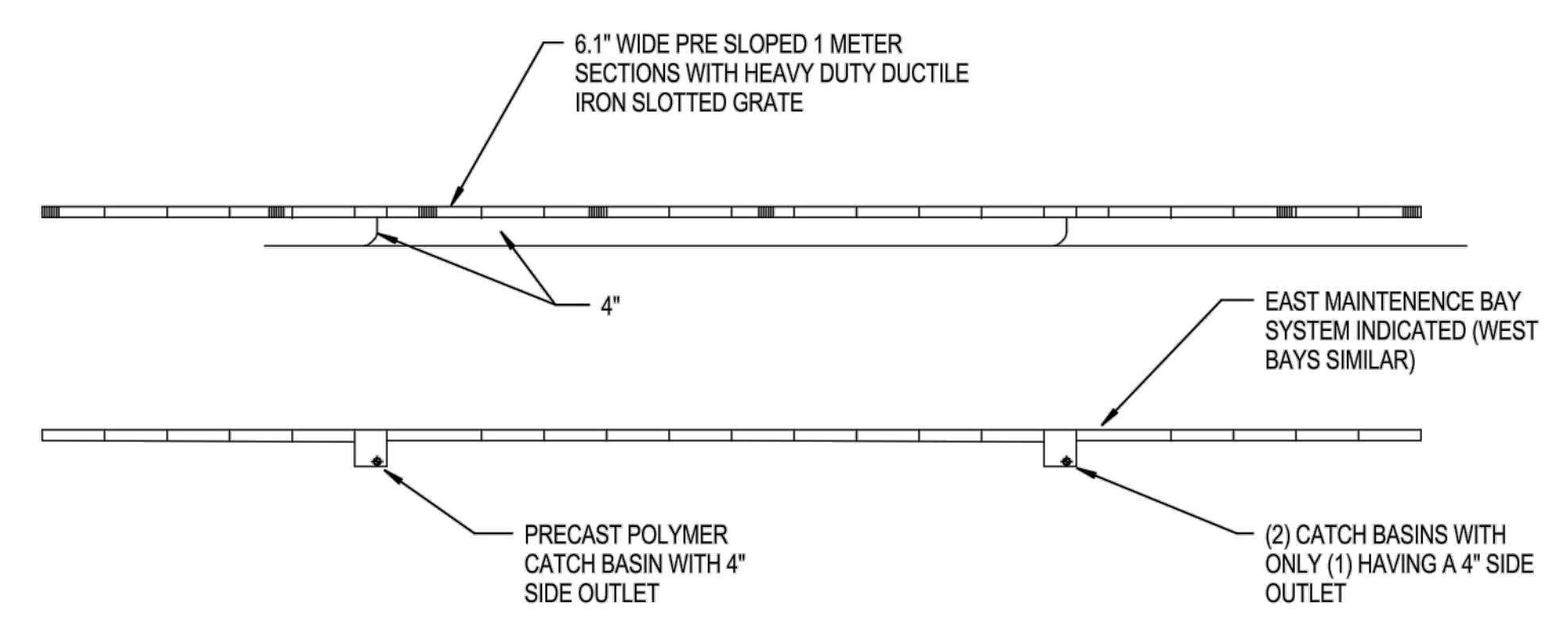


C1 TYPICAL REDUCED PRESSURE BACKFLOW PREVENTER DETAIL
 NOT TO SCALE

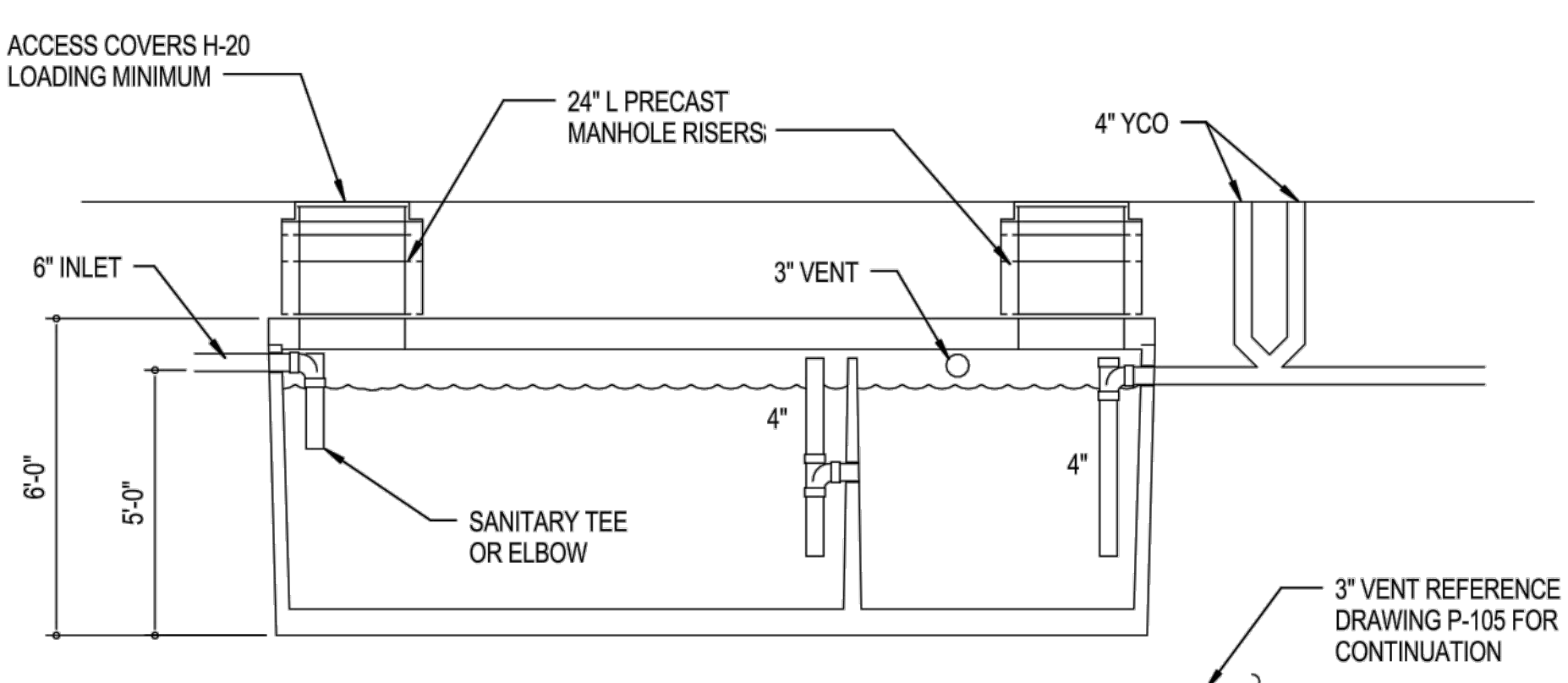


B3 EYEBROW DOWNSPOUT DETAIL
 NOT TO SCALE
 P-109

NOTES: 1) STORM DRAINS ON EAST SIDE OF BUILDING ARE OPPOSITE HAND.

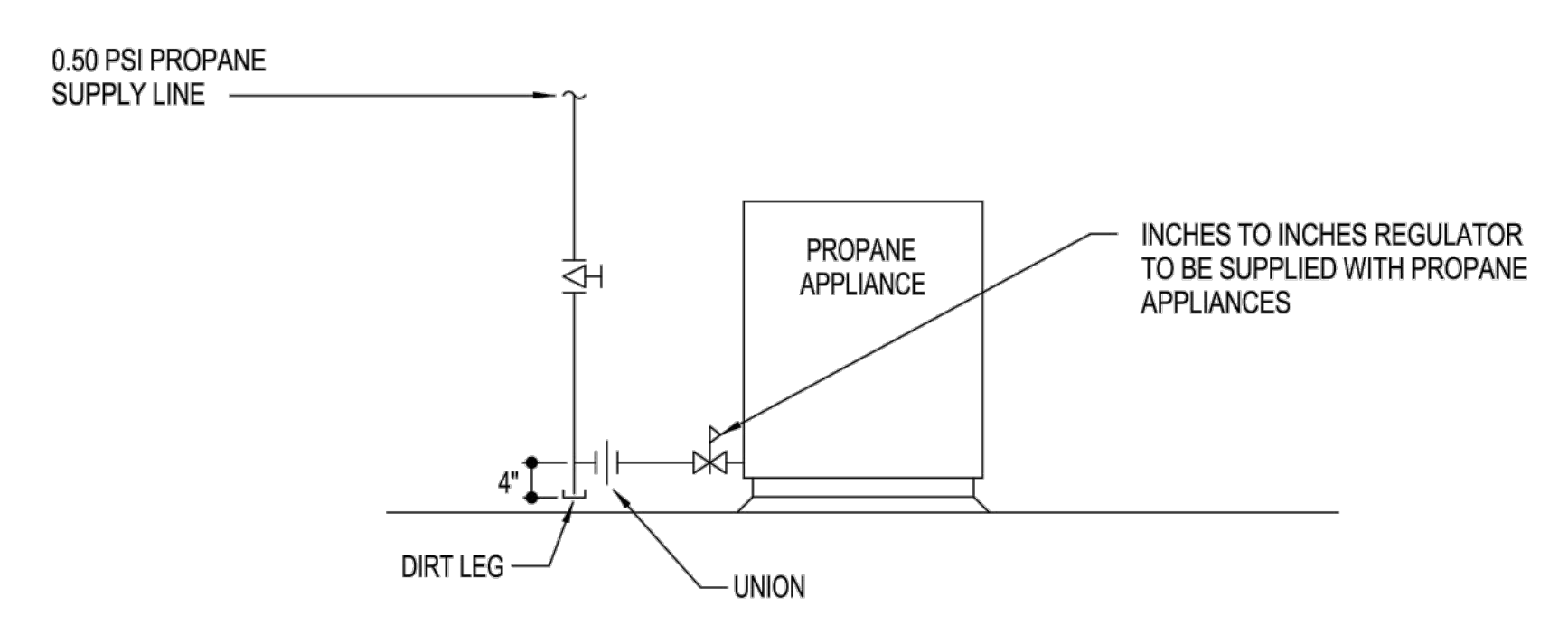


A3 TRENCH DRAIN FD-4 DETAIL
 NOT TO SCALE
 P-105



A1 OI-101/WATER SEPARATOR DETAIL
 NOT TO SCALE
 P-105

LIQUID CAPACITY: 1000 GALLONS
 BOX DESIGN LOAD: H-20 TRAFFIC FROM 1' TO 6' OF SOIL COVER



B1 TYPICAL PROPANE APPLIANCE CONNECTION DETAIL
 NOT TO SCALE

INCHES TO INCHES REGULATOR TO BE SUPPLIED WITH PROPANE APPLIANCES

ALL QUICK DISCONNECT COUPLINGS AND OR FITTINGS SHALL MATCH OWNER'S EXISTING EQUIPMENT AND IS TO BE VERIFIED

NOTE: REFER TO MECHANICAL AND LANDSCAPE DRAWINGS FOR PIPING DOWNSTREAM OF DEVICES